

Product Data Sheet for ZEPWW range of Porcelain Bushing Assemblies According to EN 50180:

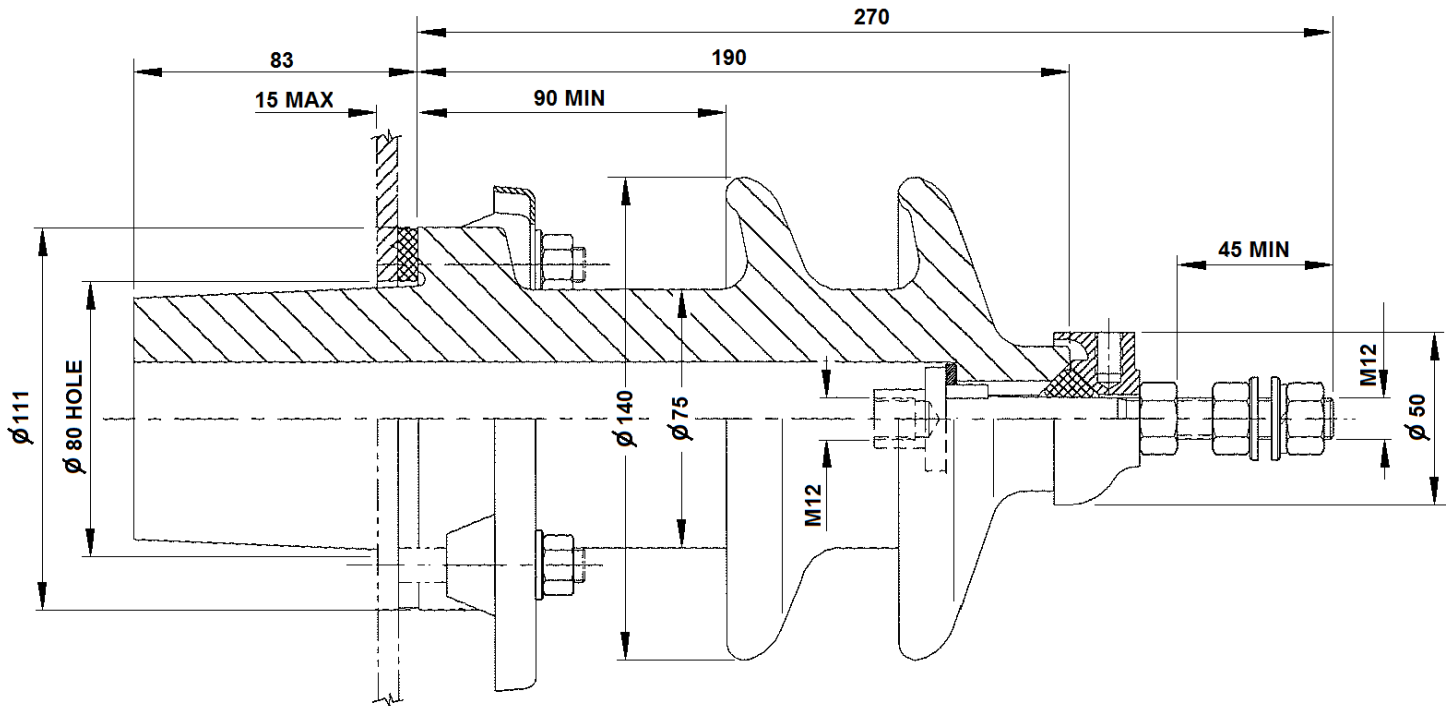
These data sheets attached are for the following units:

- 12kV 250A P2 (Medium Pollution – 20mm/kV)
- 12kV 630A P3 (Heavy Pollution – 25mm/kV)
- 24kV 250A P2 (Medium Pollution - 20mm/kV)
- 24kV 630A P2 (Medium Pollution - 20mm/kV)
- 36kV 250A P1 (Light Pollution – 16mm/kV)
- 36kV 630A P2 (Medium Pollution – 20mm/kV)
- 36kV 250A P3 (Heavy Pollution – 25mm/kV)
- 36kV 630A P2 (Very Heavy Pollution – 31mm/kV)

Other variants are available on request please contact our office

12kV 250A

ZEP Type: - EN-12-250-P2



Rated Voltage = **12kV**

Rated Current = **250A**

Minimum Nominal Creepage Distance = 240mm = Level 2 "Medium Pollution 20mm/kV minimum"

Measured creepage distance = 260mm

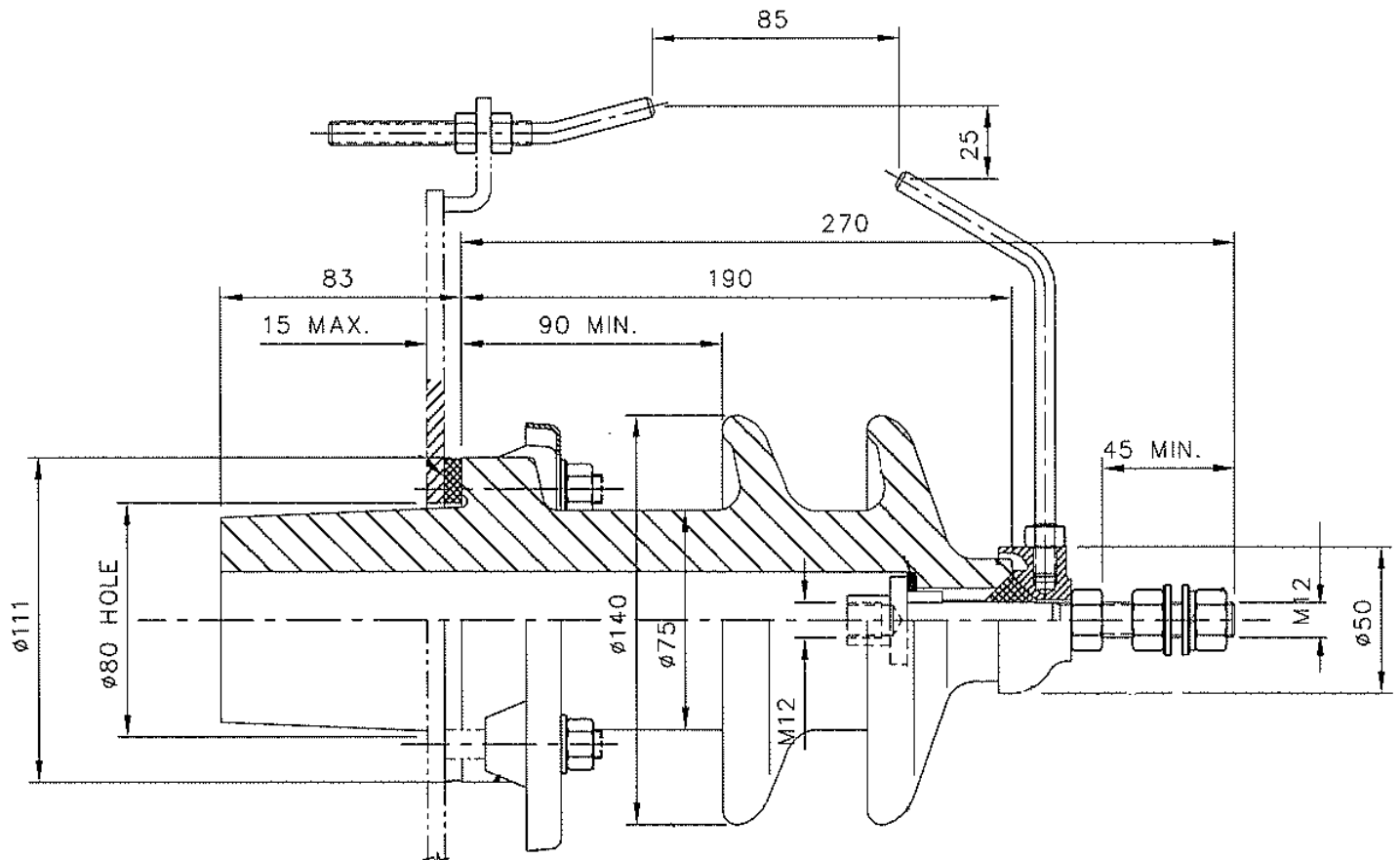
Arcing Distance = 145mm

Recommended Tank Hole Diameter = 80mm (minimum)

Mounting Requires 4 Studs M10 x 55mm long on a 123mm PCD

12kV 250A

ZEP Type: - EN-12-250-P2(AH)



Rated Voltage = **12kV**

Rated Current = **250A**

Minimum Nominal Creepage Distance= 240mm = Level 2 "Medium Pollution 20mm/kV minimum"

Measured creepage distance = 260mm

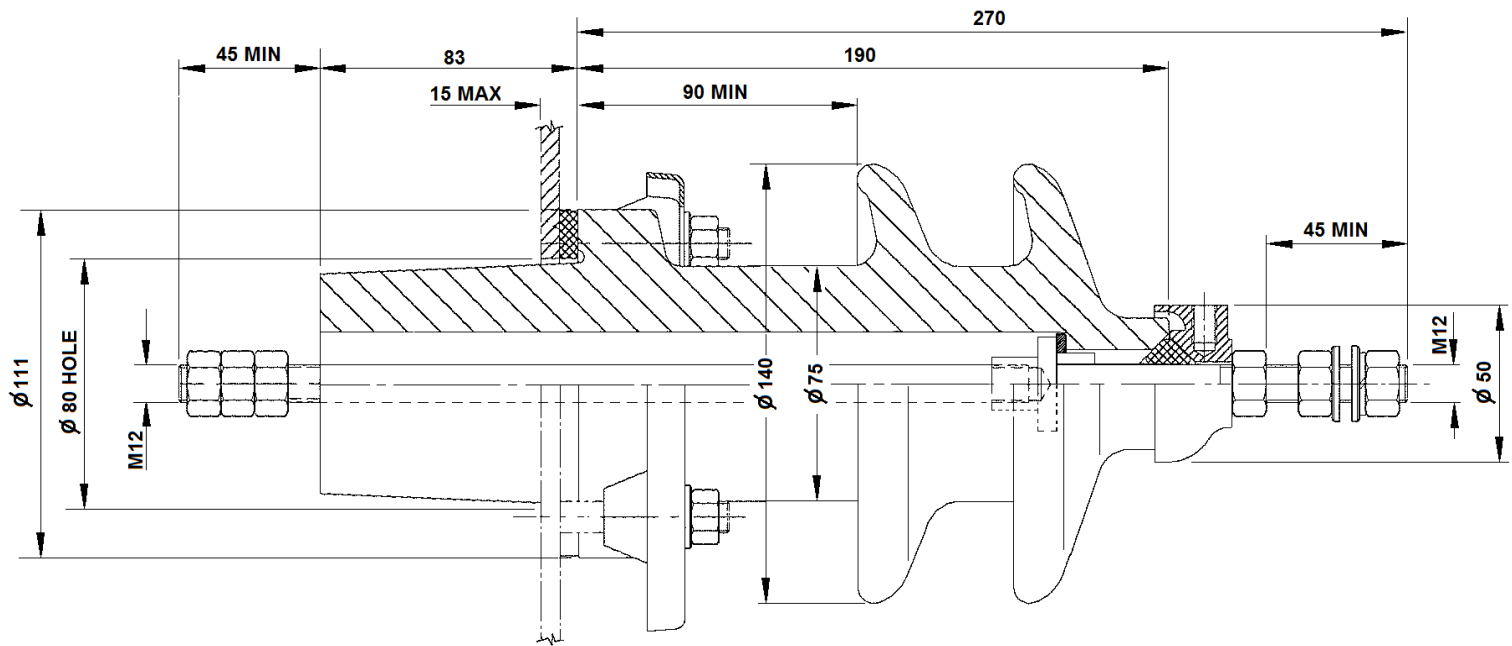
Arcing Distance = 145mm

Recommended Tank Hole Diameter = 80mm (minimum)

Mounting Requires 4 Studs M10 x 55mm long on a 123mm PCD

12kV 250A

ZEP Type: - EN-12-250-P2-M12



Rated Voltage = **12kV**

Rated Current = **250A**

Minimum Nominal Creepage Distance = 240mm = Level 2 "Medium Pollution 20mm/kV minimum"

Measured creepage distance = 260mm

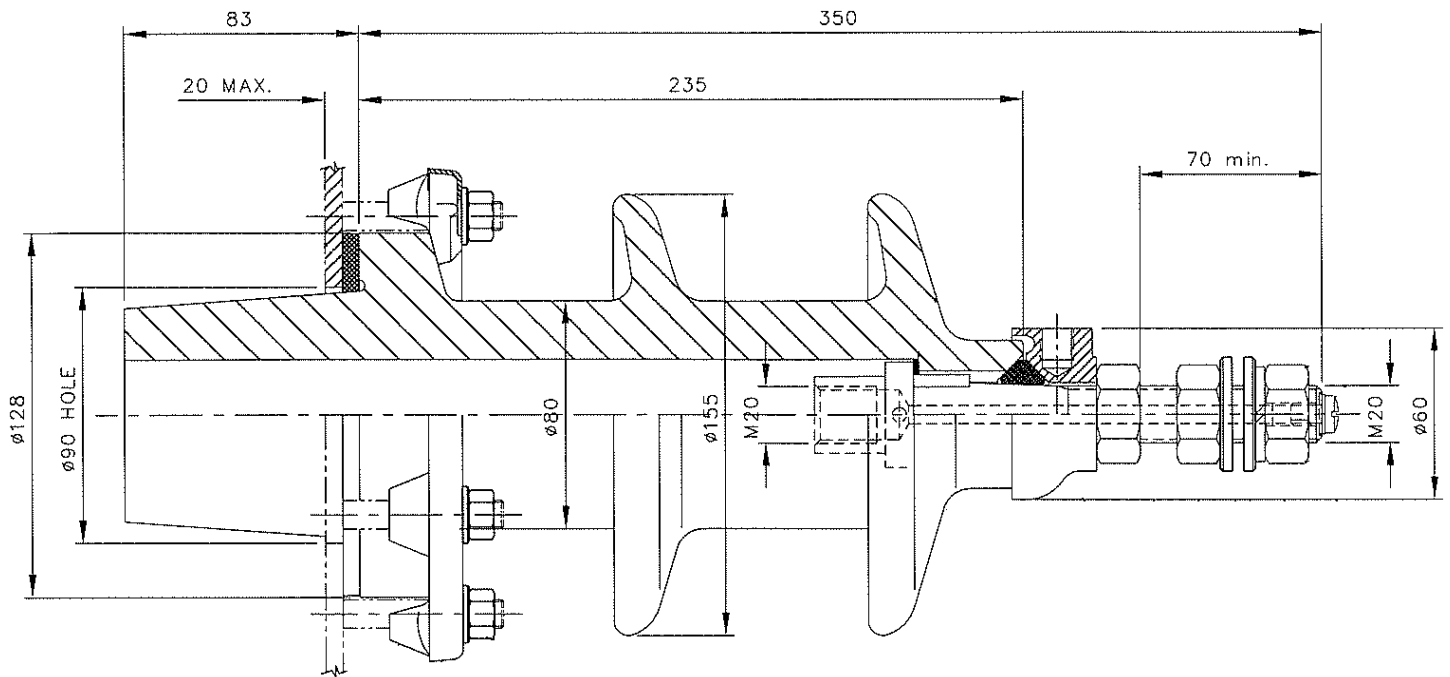
Arcing Distance = 145mm

Recommended Tank Hole Diameter = 80mm (minimum)

Mounting Requires 4 Studs M10 x 55mm long on a 123mm PCD

12kV 630A

ZEP Type: - EN-12-630-P3



Rated Voltage = **12kV**

Rated Current = **630A**

Minimum Nominal Creepage Distance = 300mm = Level 3 "Heavy Pollution 25mm/kV minimum"

Measured creepage distance = 315mm

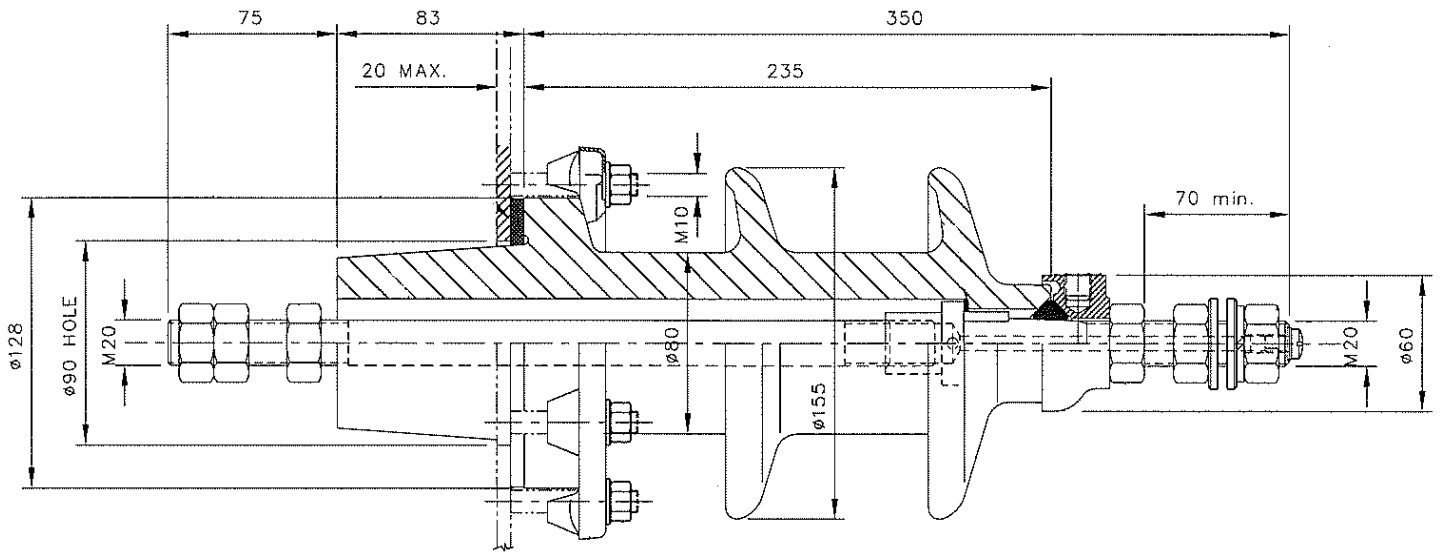
Arcing Distance = 190mm

Recommended Tank Hole Diameter = 90mm (minimum)

Mounting Requires 6 Studs M10 x 55mm long on a 140mm PCD

12kV 630A

ZEP Type: - EN-12-630-P3-M20



Rated Voltage = **12kV**

Rated Current = **630A**

Minimum Nominal Creepage Distance= 300mm = Level 3 "Heavy Pollution 25mm/kV minimum"

Measured creepage distance = 315mm

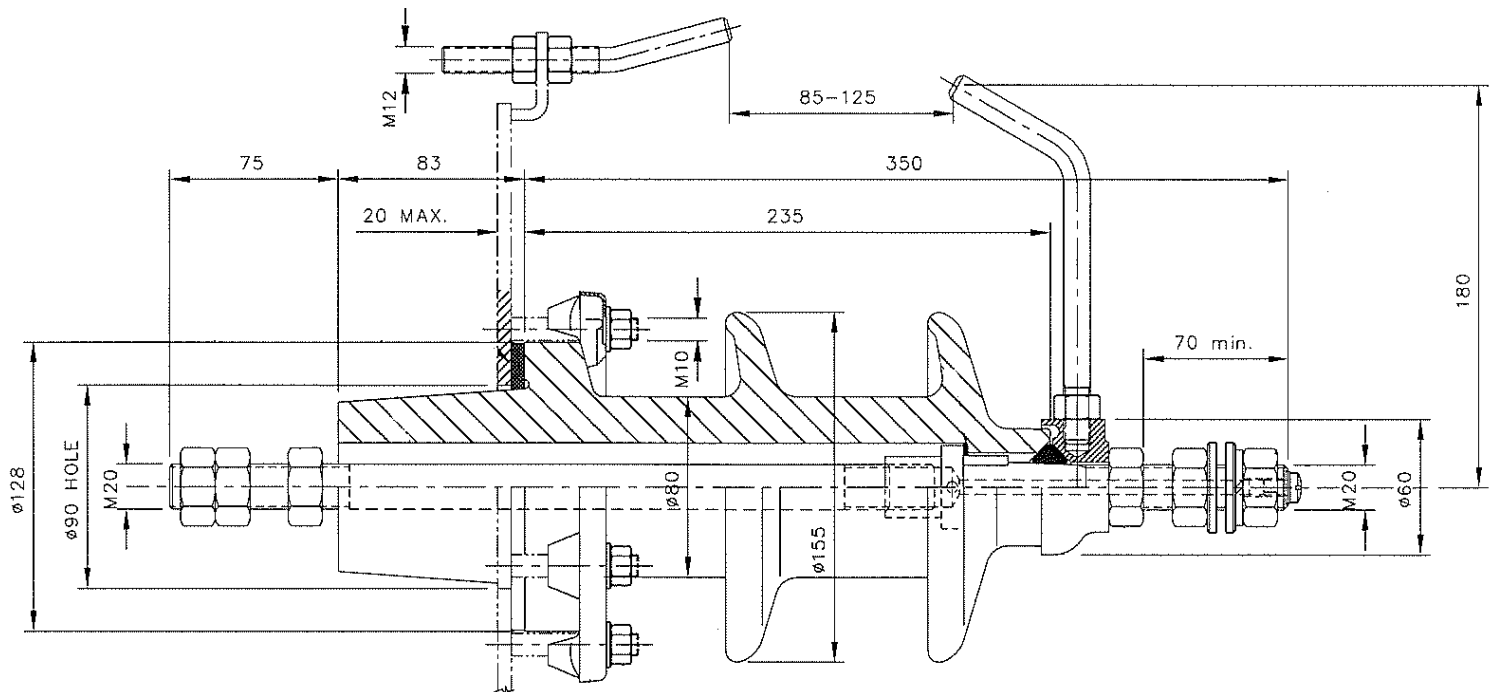
Arcing Distance = 190mm

Recommended Tank Hole Diameter = 90mm (minimum)

Mounting Requires 6 Studs M10 x 55mm long on a 140mm PCD

12kV 630A

ZEP Type: - EN-12-630-P3-M20(AH)



Rated Voltage = **12kV**

Rated Current = **630A**

Minimum Nominal Creepage Distance= 300mm = Level 3 "Heavy Pollution 25mm/kV minimum"

Measured creepage distance = 315mm

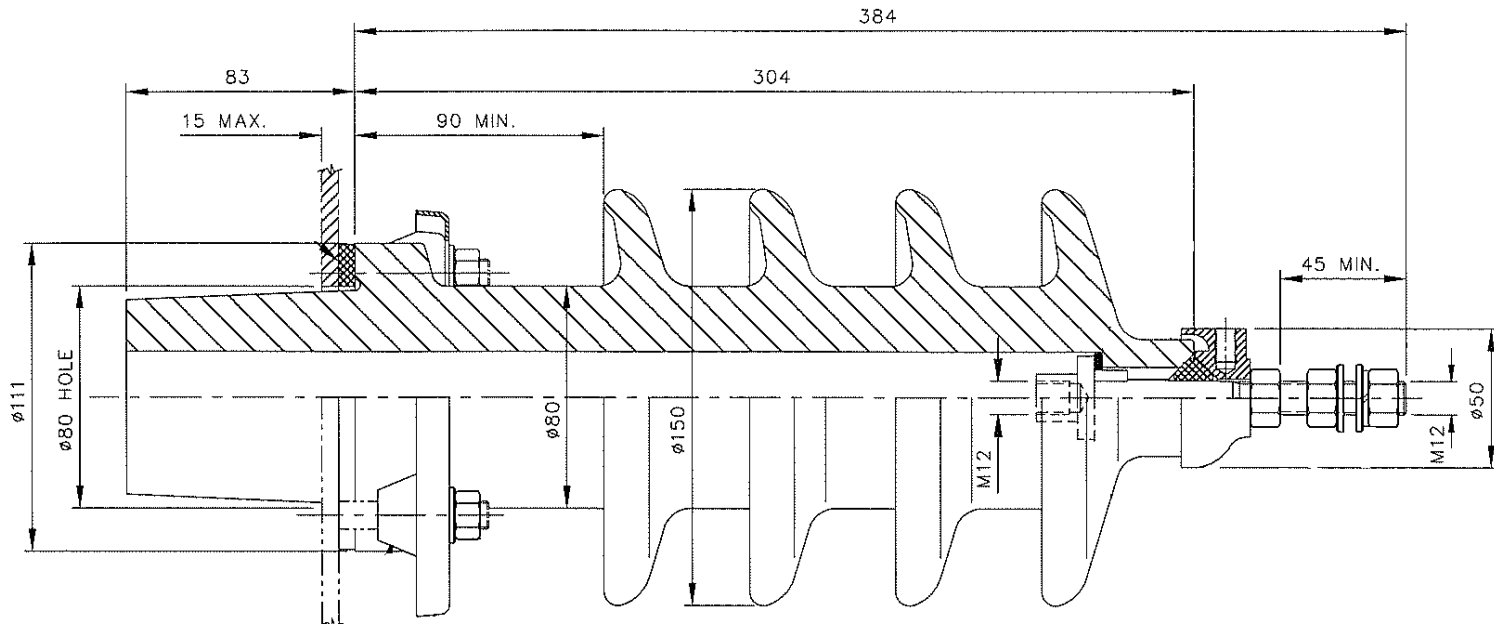
Arcing Distance = 190mm

Recommended Tank Hole Diameter = 90mm (minimum)

Mounting Requires 6 Studs M10 x 55mm long on a 140mm PCD

24kV 250A

ZEP Type: - EN-24-250-P2



Rated Voltage = **24kV**

Rated Current = **250A**

Minimum Nominal Creepage Distance = 480mm = Level 2 "Medium Pollution 20mm/kV minimum"

Measured creepage distance = 490mm

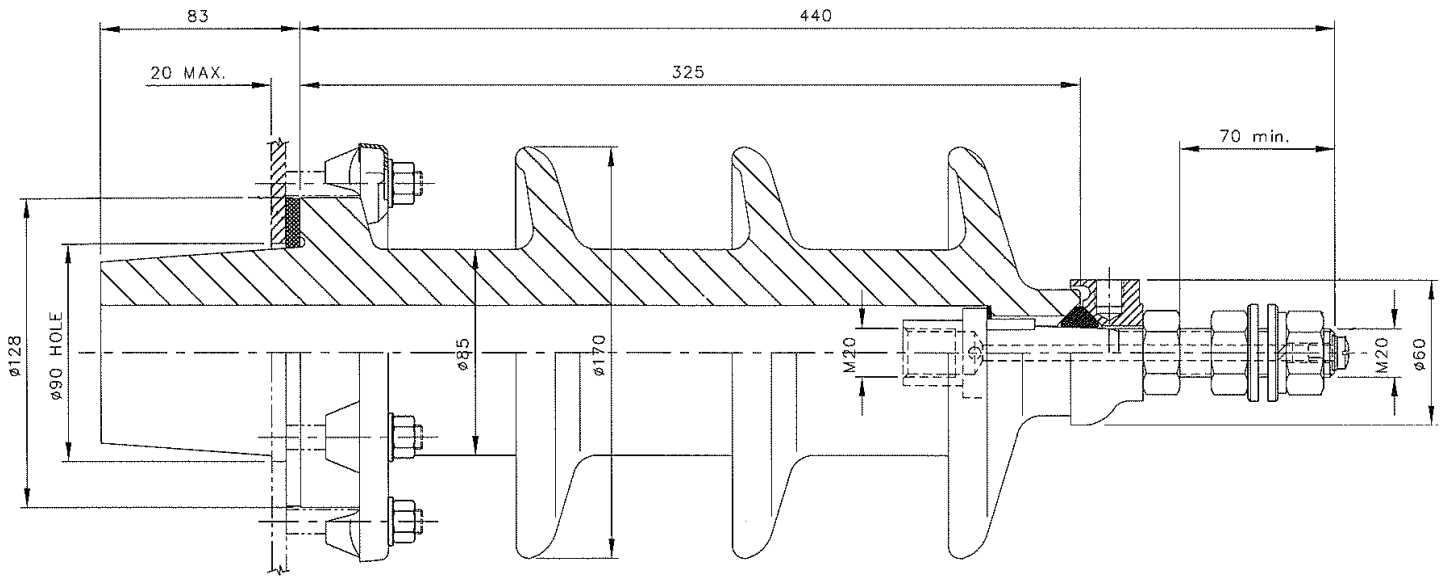
Arcing Distance = 260mm

Recommended Tank Hole Diameter = 80mm (minimum)

Mounting Requires 4 Studs M10 x 55 long on a 123mm PCD

24kV 630A

ZEP Type: - EN-24-630-P2



Rated Voltage = **24kV**

Rated Current = **630A**

Minimum Nominal Creepage Distance = 480mm = Level 2 "Medium Pollution 20mm/kV minimum"

Measured creepage distance = 490mm

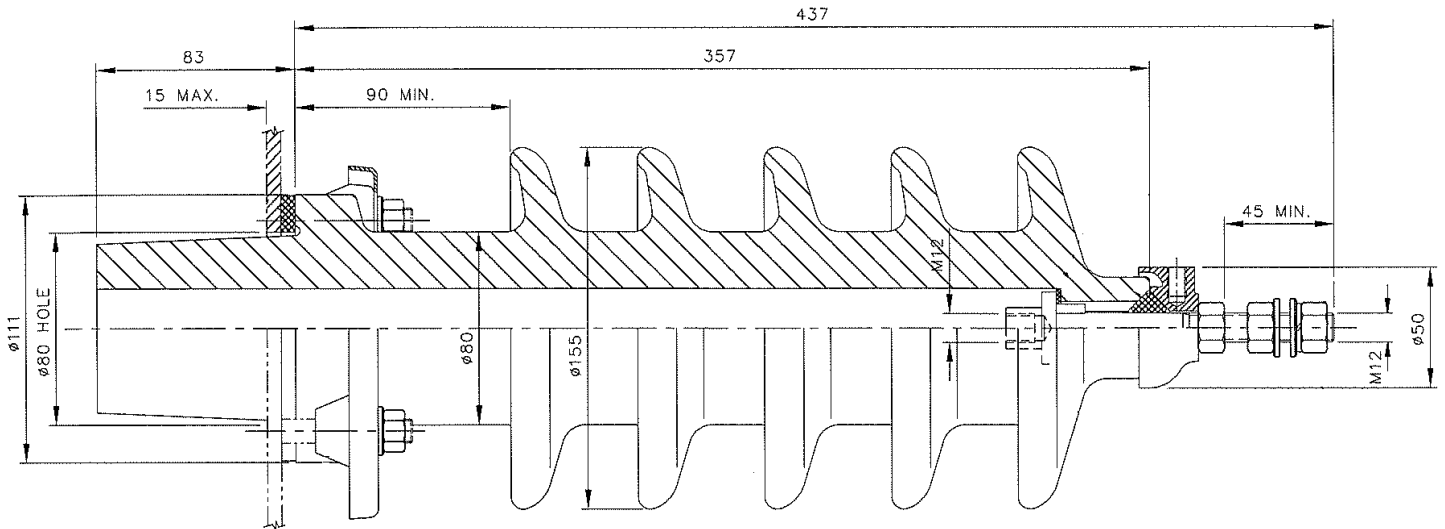
Arcing Distance = 285mm

Recommended Tank Hole Diameter = 90mm (minimum)

Mounting Requires 6 Studs M10 x 55mm long on a 140mm PCD

36kV 250A

ZEP Type: - EN-36-250-P1



Rated Voltage = **36kV**

Rated Current = **250A**

Minimum Nominal Creepage Distance= 600mm = Level 1 "Light Pollution 16mm/kV minimum"

Measured creepage distance = 605mm

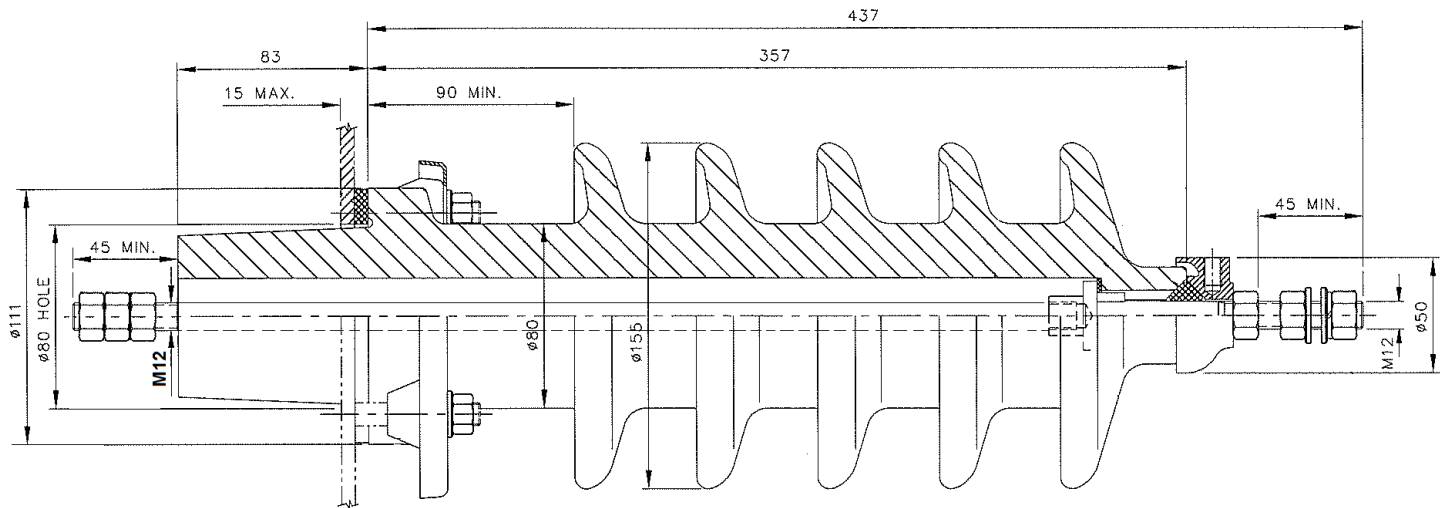
Arcing Distance = 315mm

Recommended Tank Hole Diameter = 80mm (minimum)

Mounting Requires 4 Studs M10 x 55mm long on a 123mm PCD

36kV 250A

ZEP Type: - EN-36-250-P1-M12



Rated Voltage = **36kV**

Rated Current = **250A**

Minimum Nominal Creepage Distance = 600mm = Level 1 "Light Pollution 16mm/kV minimum"

Measured creepage distance = 605mm

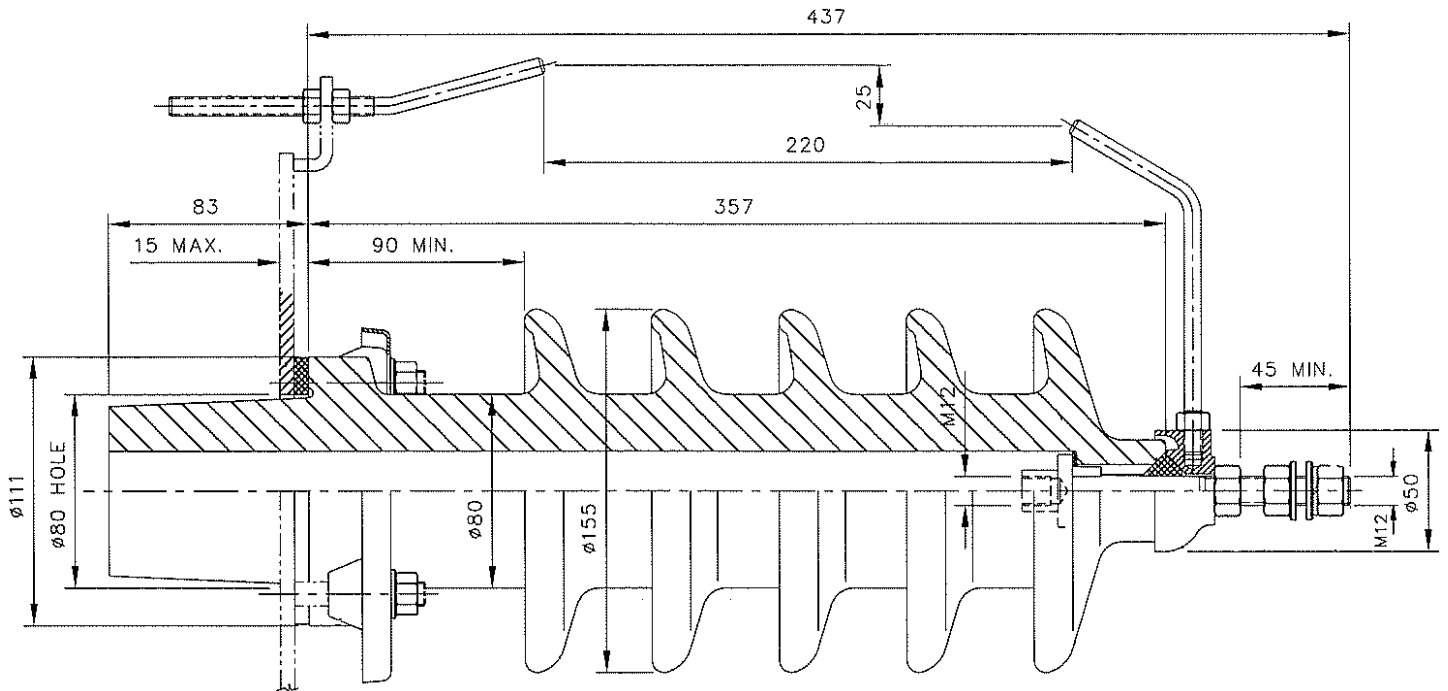
Arcing Distance = 315mm

Recommended Tank Hole Diameter = 80mm (minimum)

Mounting Requires 4 Studs M10 x 55mm long on a 123mm PCD

36kV 250A

ZEP Type: - EN-36-250-P1-M12



Rated Voltage = **36kV**

Rated Current = **250A**

Minimum Nominal Creepage Distance = 600mm = Level 1 "Light Pollution 16mm/kV minimum"

Measured creepage distance = 605mm

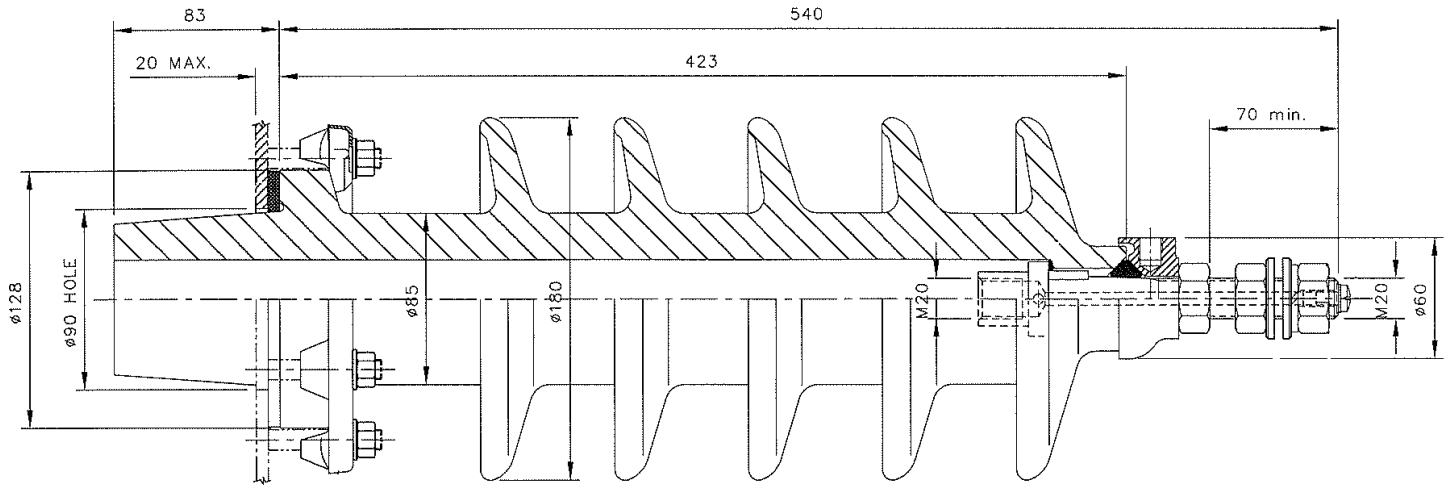
Arcing Distance = 315mm

Recommended Tank Hole Diameter = 80mm (minimum)

Mounting Requires 4 Studs M10 x 55mm long on a 123mm PCD

36kV 250A

ZEP Type: - EN-36-630-P2



Rated Voltage = **36kV**

Rated Current = **630A**

Minimum Nominal Creepage Distance = 720mm = Level 3 "Medium Pollution 20mm/kV minimum"

Measured creepage distance = 760mm

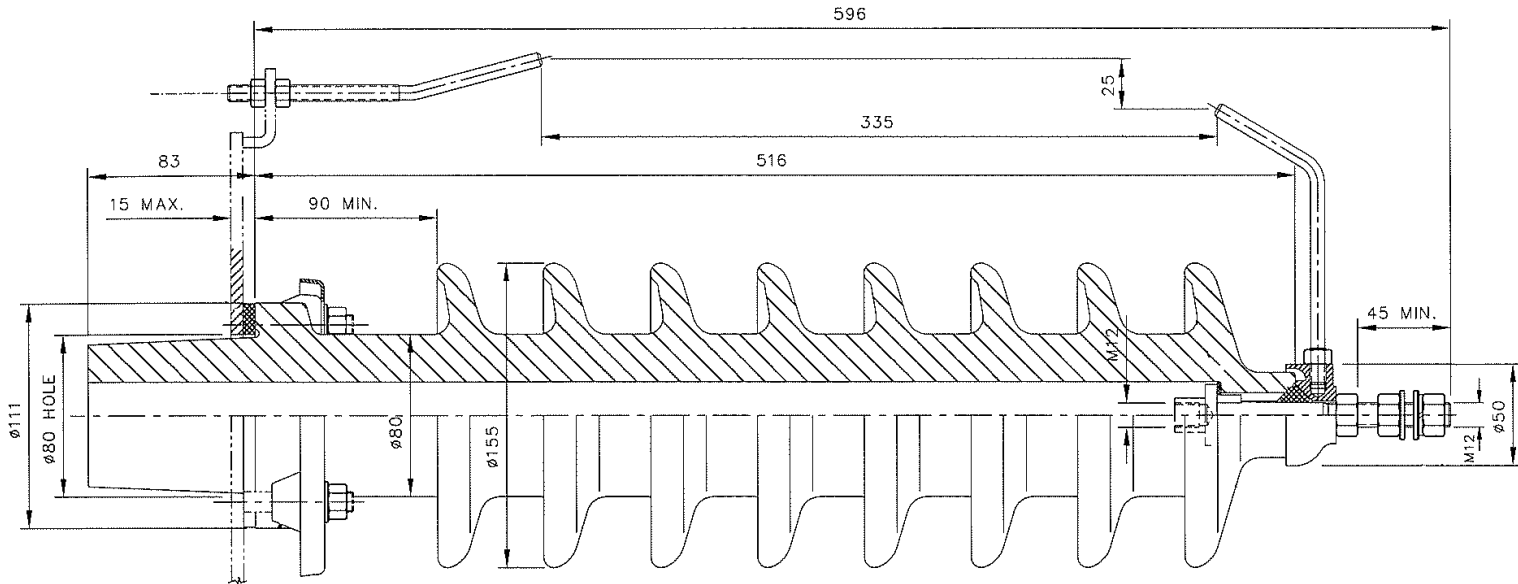
Arcing Distance = 375mm

Recommended Tank Hole Diameter = 90mm (minimum)

Mounting Requires 6 Studs M10 x 55mm long on a 140mm PCD

36kV 250A

ZEP Type: - EN-36-250-P3(AH)



Rated Voltage = **36kV**

Rated Current = **250A**

Minimum Nominal Creepage Distance = 900mm = Level 3 "Heavy Pollution 25mm/kV minimum"

Measured creepage distance = 935mm

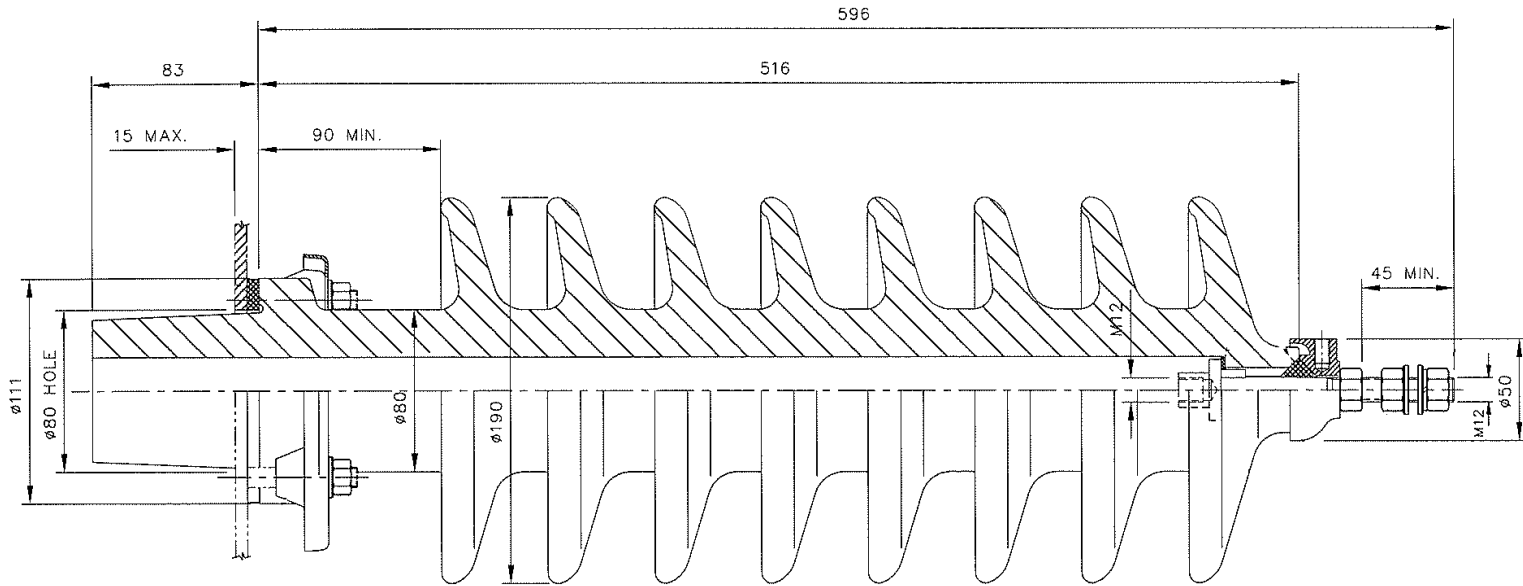
Arcing Distance = 465mm

Recommended Tank Hole Diameter = 80mm (minimum)

Mounting Requires 4 Studs M10 x 55mm long on a 123mm PCD

36kV 250A

ZEP Type: - EN-36-250-P4



Rated Voltage = **36kV**

Rated Current = **250A**

Minimum Nominal Creepage Distance = 1116mm = Level 4 "Very Heavy Pollution 31mm/kVminimum"

Measured creepage distance = 1165mm

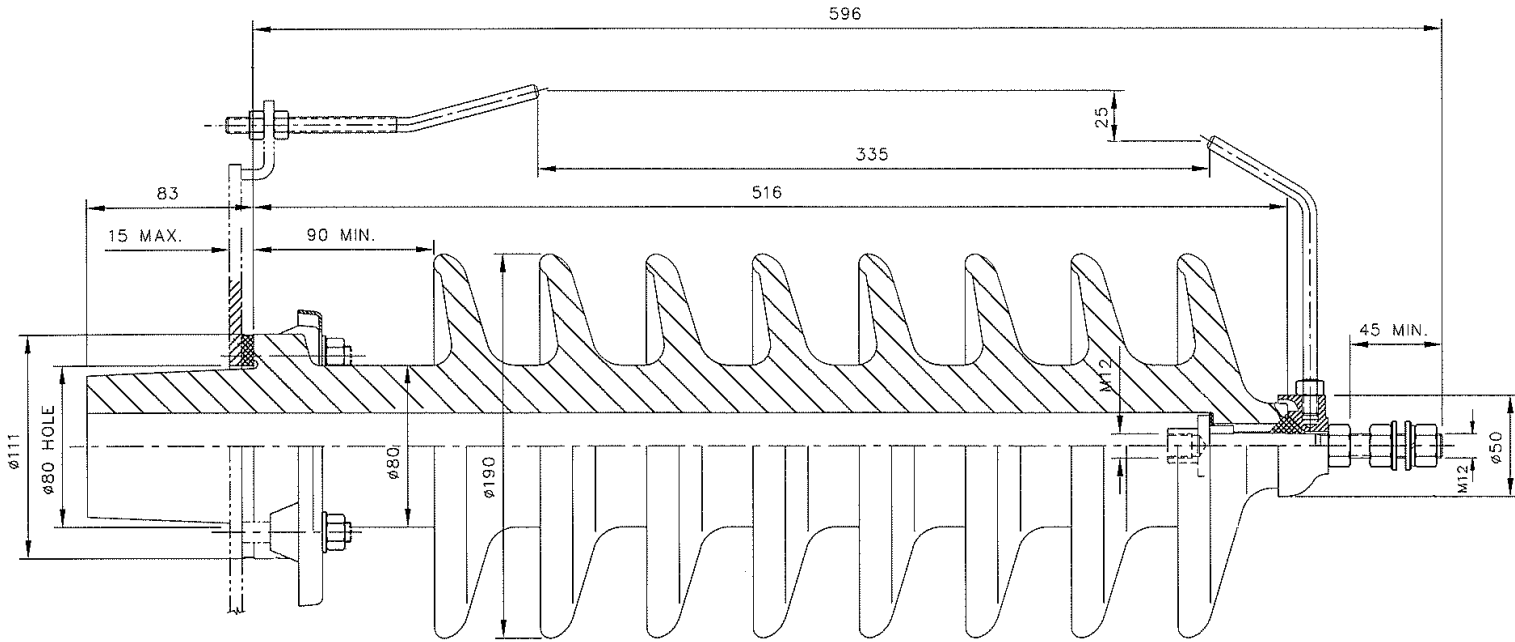
Arcing Distance = 485mm

Recommended Tank Hole Diameter = 80mm (minimum)

Mounting Requires 4 Studs M10 x 55mm long on a 123mm PCD

36kV 250A

ZEP Type: - EN-36-250-P4(AH)



Rated Voltage = **36kV**

Rated Current = **250A**

Min Nominal Creepage Distance= 1116mm = Level 4 "Very Heavy Pollution 31mm/kV minimum"

Measured creepage distance = 1165mm

Arcing Distance = 485mm

Recommended Tank Hole Diameter = 80mm (minimum)

Mounting Requires 4 Studs M10 x 55mm long on a 123mm PCD

ALL INFORMATION SUBJECT TO CHANGE WITHOUT NOTICE